



• 2024

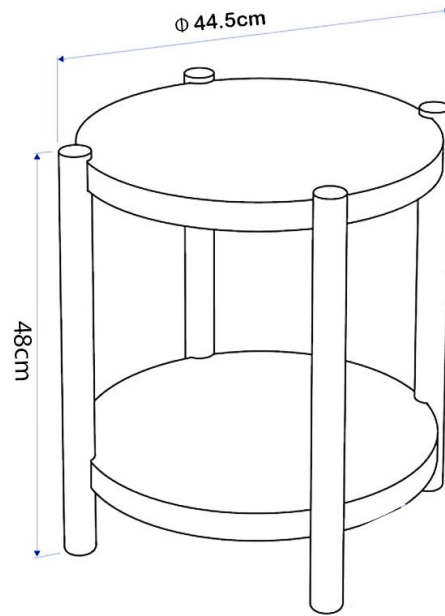
NEW FURNITURE

e-mail:anne@fzahome.com



Double Open Shelf
Sunken Desktop





Round desktop
Drawer design
Sturdy and aesthetically pleasing



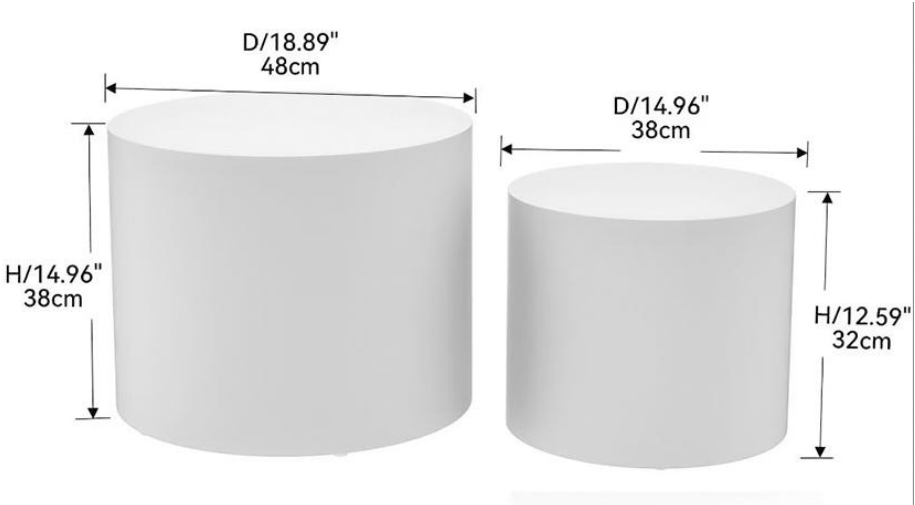
Round desktop
Drawer design
Sturdy and aesthetically
pleasing



AHW220056

SIZE : 45*45*50cm

Sturdy material
Beautiful and practical



SIZE : L : 48X38x38.5cm
S : 38x38x32cm

Sturdy material
Beautiful and practical



Thickened and stable round
table legs



SIZE:L:114.5x40x81.3cm
S:80X40X 50.8CM



Simple and beautiful
Large capacity partition design



SIZE:L:114.5x40x81.3cm

S:80X40X 50.8CM



Multi-functional storage
Three Drawers



SIZE: 165x46.5x80cm

Solid wood legs
Stable and heavy duty with
multiple compartments
Easy to organize



SIZE: 165x36. 5x90cm



Slab compartment for stout
cabinet legs
Stable and load-bearing



SIZE : 120x42x74cm



Table top year round design
Vintage with texture
Iron table legs

Round Top
Sunken Table Top
Iron Table Corner





Double open shelves
Shelf Iron Table Legs



Spacious storage
for all your needs



Elegant design with round shape
Steady enough to hold things





Double layer design
Rollable roller skates





Double layer design
Metal with wood, simple and elegant
Rollable wheels



Oval shape with metal
Movable wheels



Combination of metals and three wooden layers
movable wheels

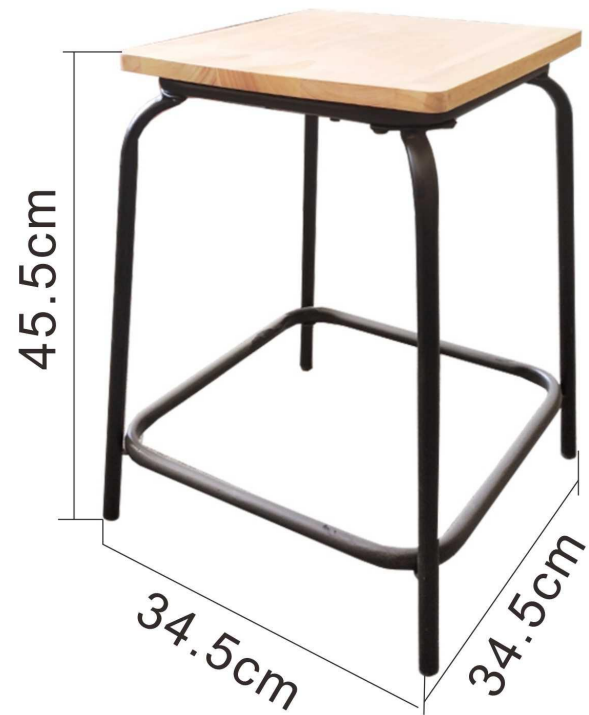


Metal bracket
Eco-laminates
Removable



SIZE : 40X30X58. 5CM

Square Panel
Iron table corner





Fuzhou Ahome Crafts Co.,Ltd



ANNE:
(General Manager)

13338423727



0086-591-87511690
0086-591-87511635



E-mail: anne@fzahome.com
Website: www.fzahome.com



OFFICE: 1209-1210, Building 2, Minishu, Rongxin
Shuang Hang Reval, Fuzhou China.
FACTORY: No. 46, Guyang Cun, Hongwei Village.
Minhou Country, Fuzhou. China